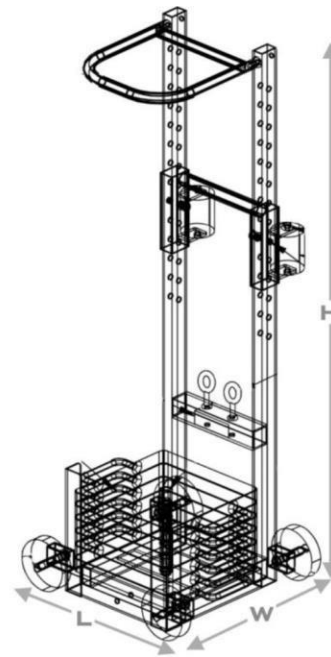




▪ ANCHORAGE ▪

Deadweight Trolley – Anchor Data Sheet

The SAS Deadweight Trolley is a Portable Anchor Device for use behind Structural Handrails, Balustrades and Parapet Walls. It is ideal for use where space is limited and is quick and easy to set up, store and transport.



DIMENSIONS:

- Height: 1.41m
- Length: 57cm
- Width: 54cm
- Material: Steel Frame
- Finish: Powder Coated
- Working Load Limit: 250kgs (551lb)
- Approved Standards: CE Certified to BS:EN 795 2012
- Tested to PD CEN/TS 16415: 2013 for a two-person rescue with an anchor device
- Has met the IRATA and SPRAT ICOP requirement that anchors for rope access must meet a 15kN static test
- Total Weight: 178kgs (392lbs)
- Max Component Weight: 25kgs (551lb) per component
- Minimum Upstand Required: 600mm (24")* * Please see Conformity on page 3 for further information in regards to the upstand requirements
- Quality: 100% inspected

